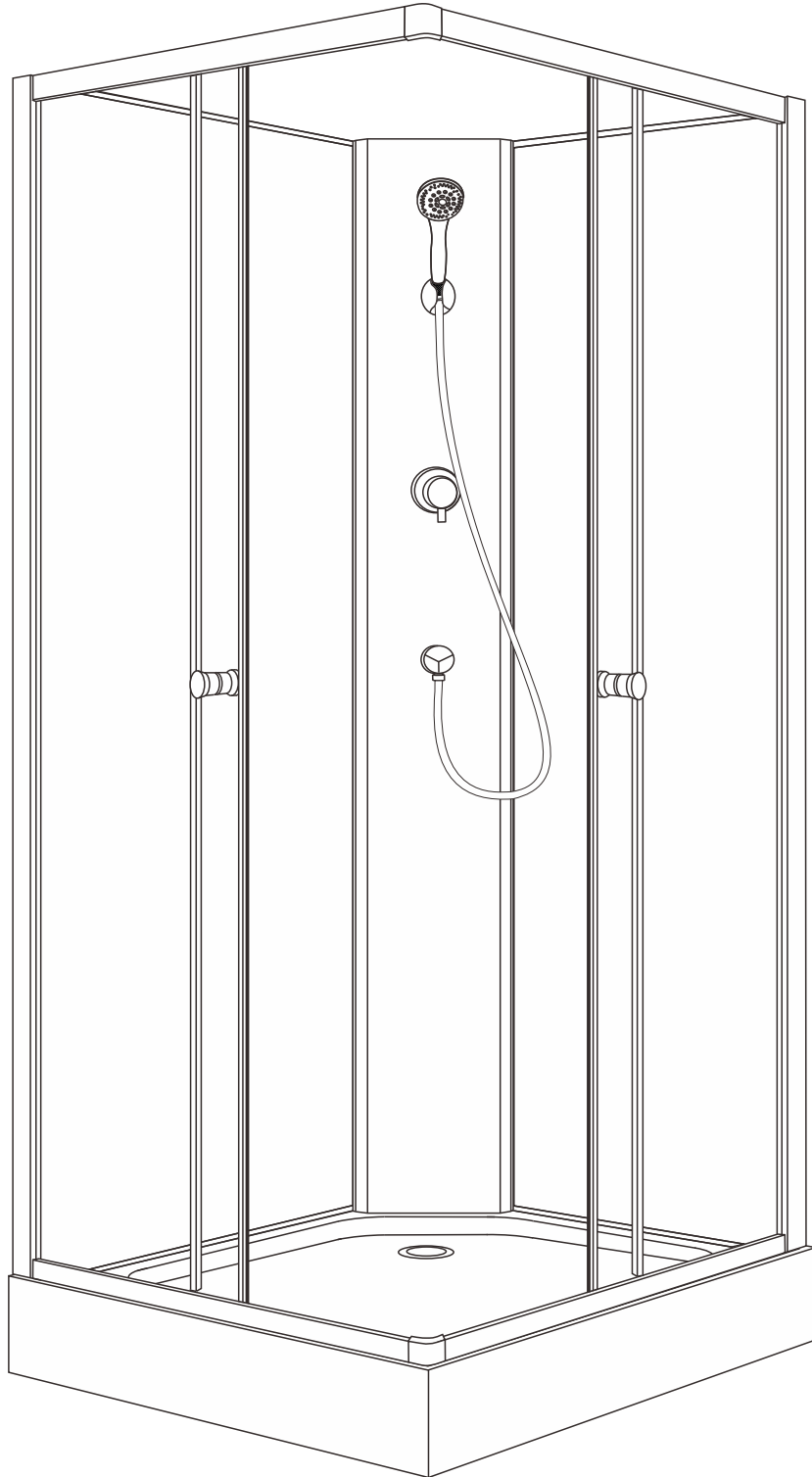
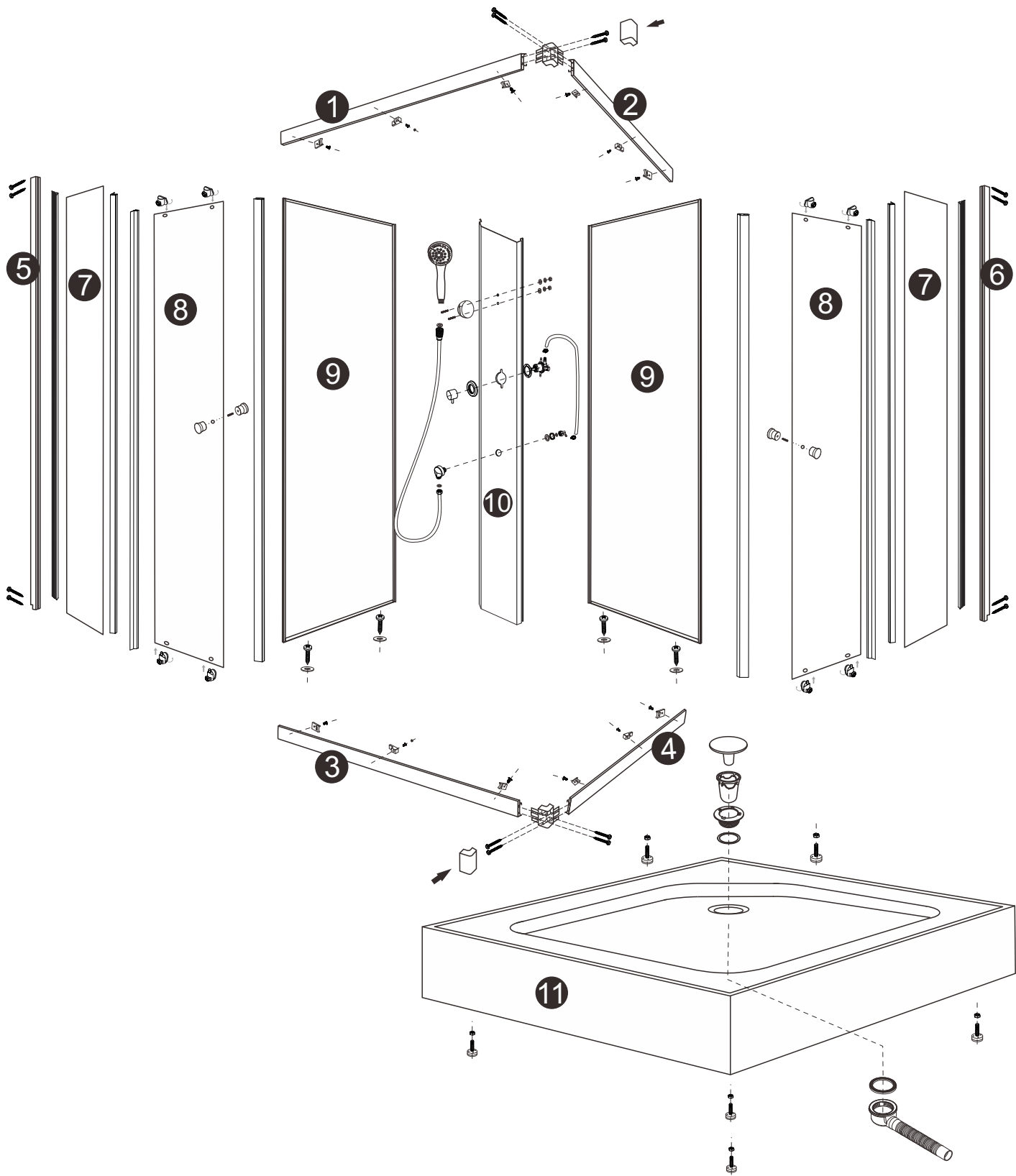
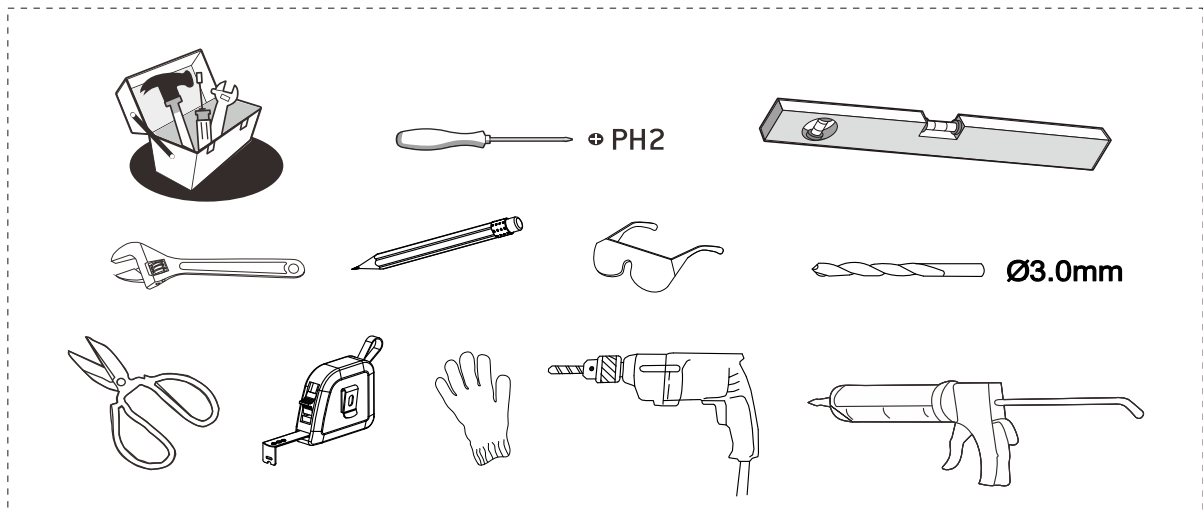











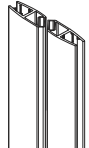
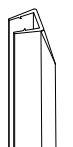
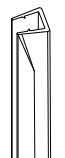
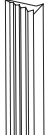

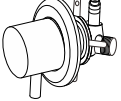
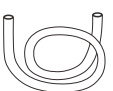


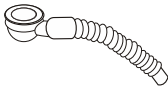
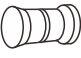
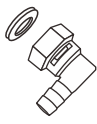

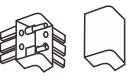
MODEL:12080

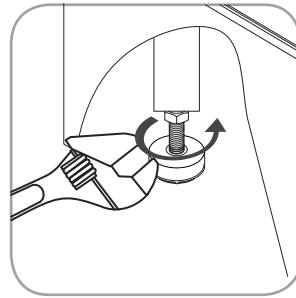
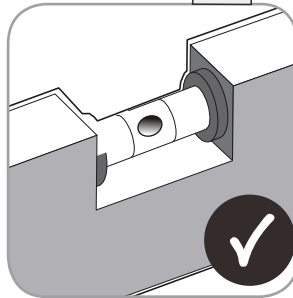
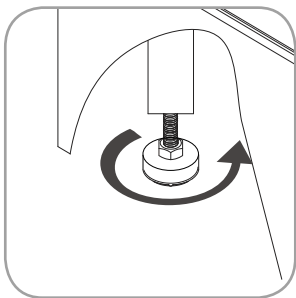
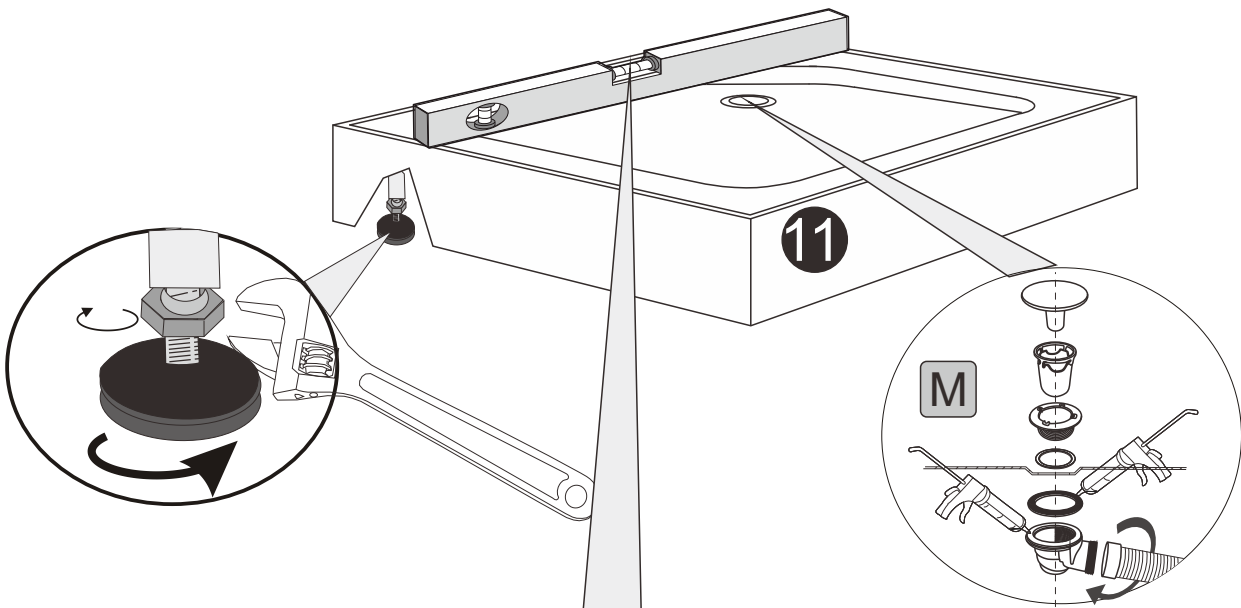
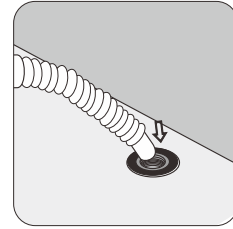
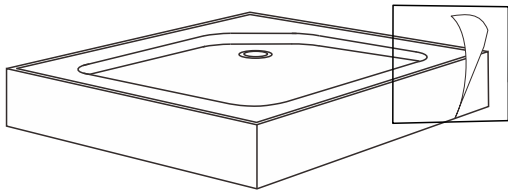
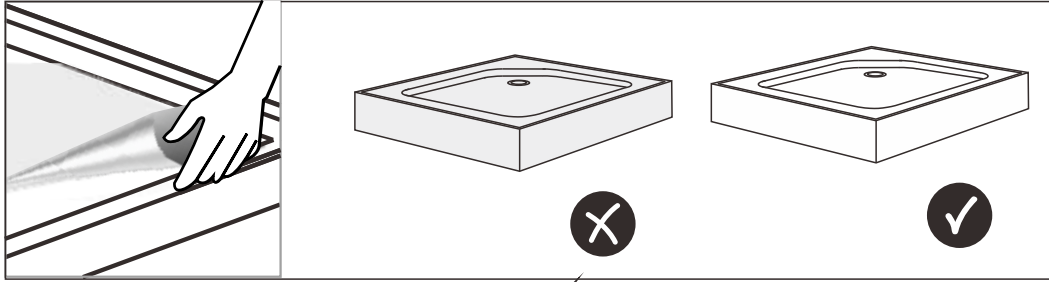
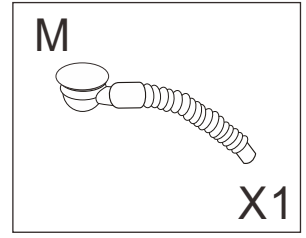
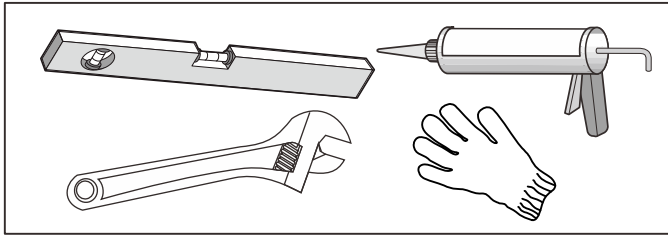
SIZE:80X80X(185+15)CM




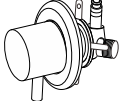

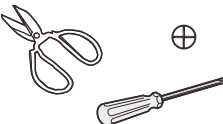
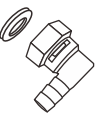
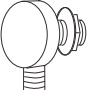


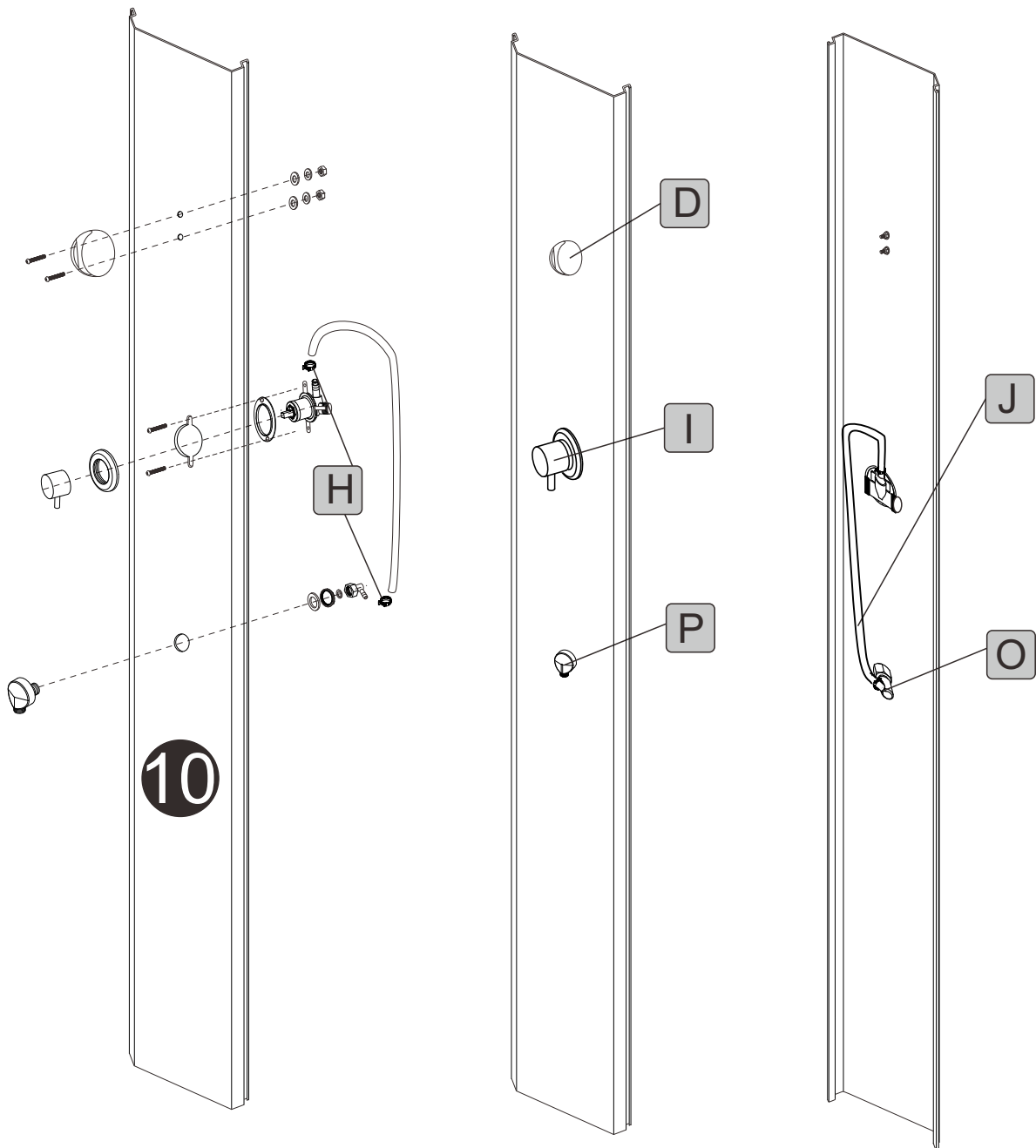


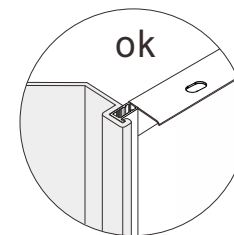
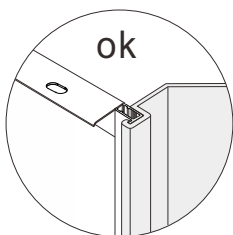
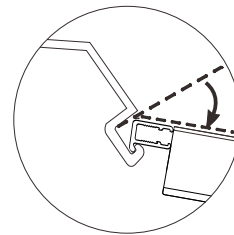
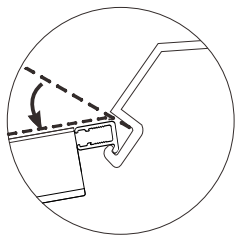
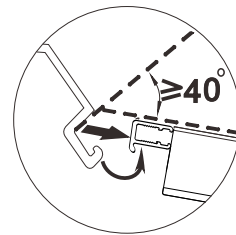
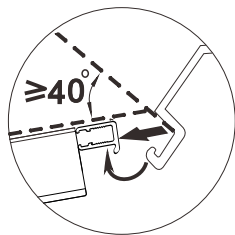
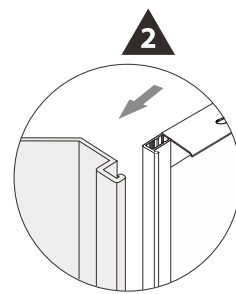
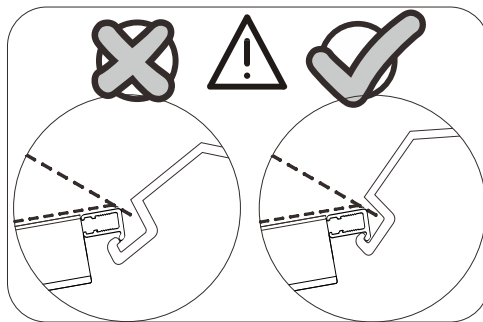
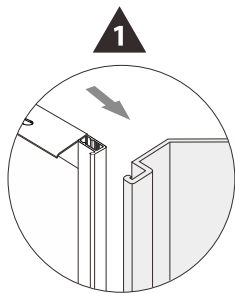
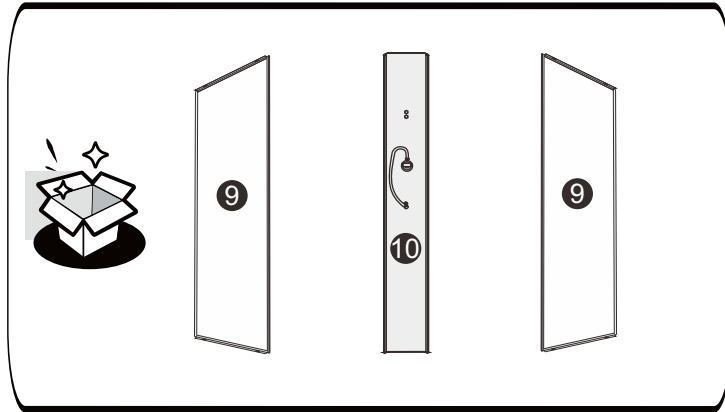


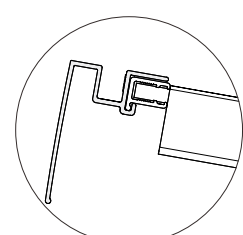
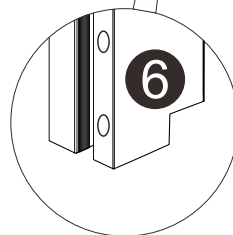
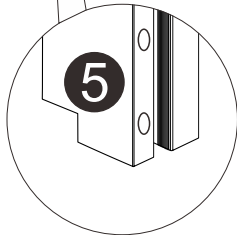
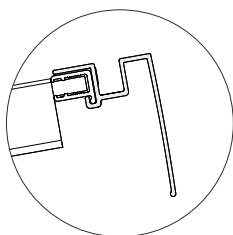
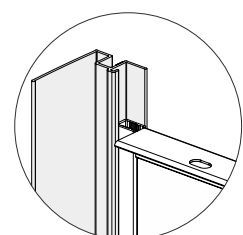
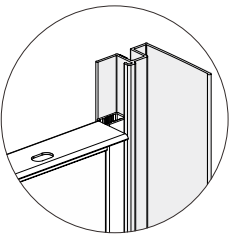
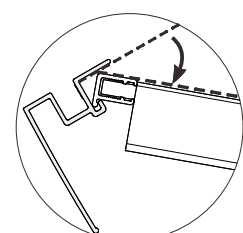
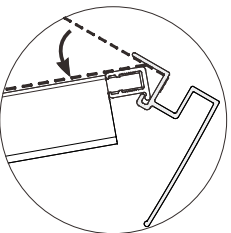
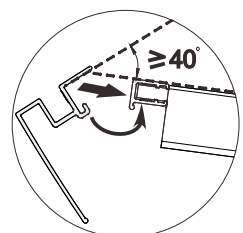
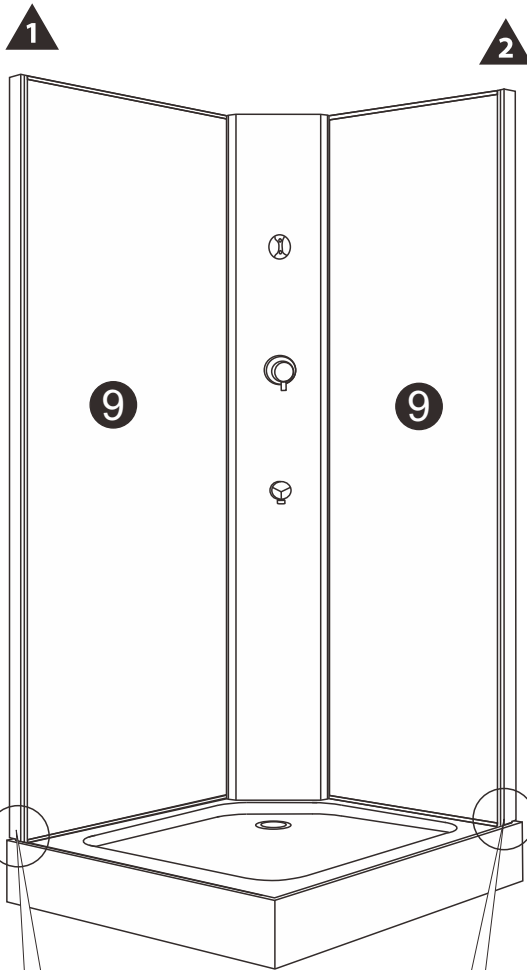
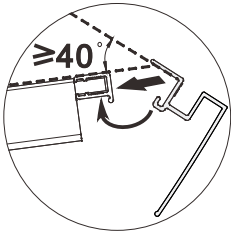
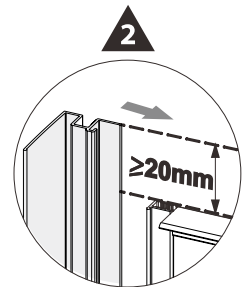
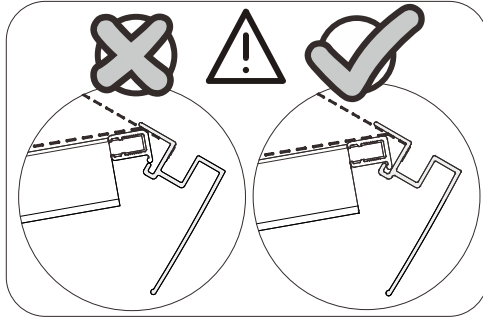
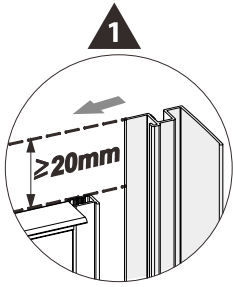
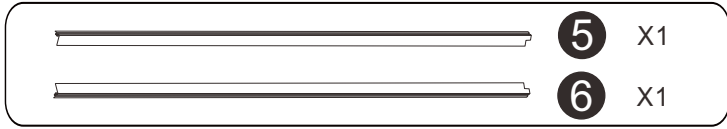
	<p>A1</p>  <p>M4X25 X16</p>	<p>A2</p>  <p>M4X16 X4</p>	<p>A3</p>  <p>M4X12 X4</p>	<p>B</p>  <p>M4 X4</p>
<p>C</p>  <p>X4</p>	<p>D</p>  <p>M4X20</p>  <p>X1</p>	<p>E1</p>  <p>X4</p>	<p>E2</p>  <p>X4</p>	<p>F</p>  <p>X1</p>
<p>G1</p>  <p>X2</p>	<p>G2</p>  <p>X2</p>	<p>G3</p>  <p>X2</p>	<p>H</p>  <p>X2</p>	<p>I</p>  <p>X1</p>
<p>J</p>  <p>X0.5M</p>	<p>K</p>  <p>X1</p>	<p>L</p>  <p>X1</p>	<p>M</p>  <p>X1</p>	<p>N</p>  <p>X2</p>
<p>O</p>  <p>X1</p>	<p>P</p>  <p>X1</p>	<p>Q</p>  <p>X2</p>		




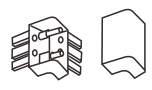
<p>D</p>  <p>M4X20</p>  <p>X1</p>	<p>H</p>  <p>X2</p>	<p>I</p>  <p>X1</p>	<p>J</p>  <p>X0.5M</p>
	<p>O</p>  <p>X1</p>	<p>P</p>  <p>X1</p>	

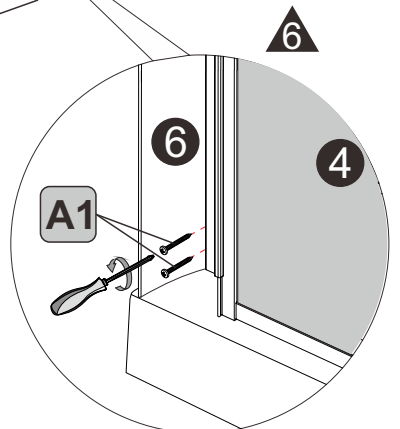
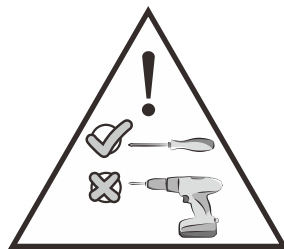
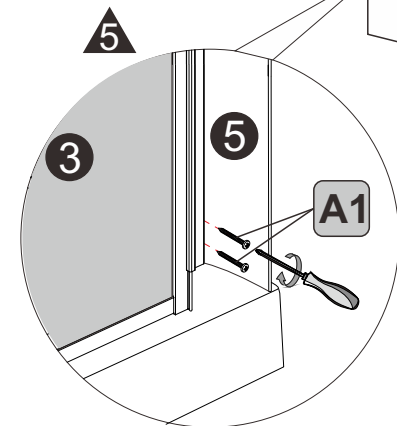
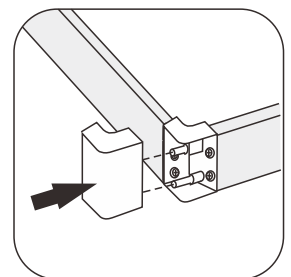
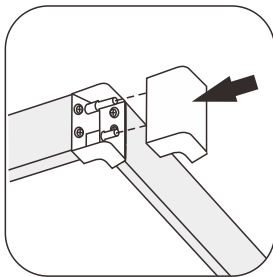
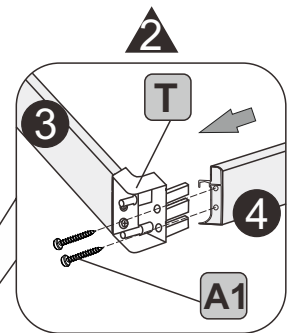
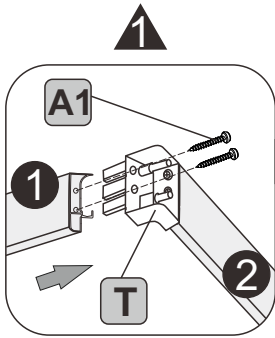
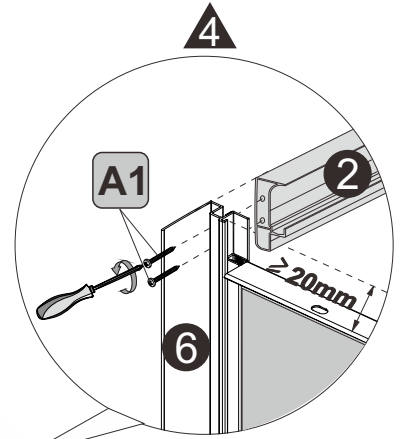
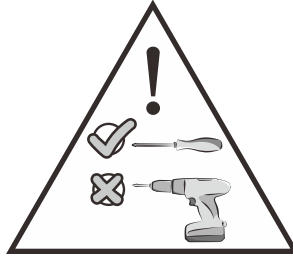
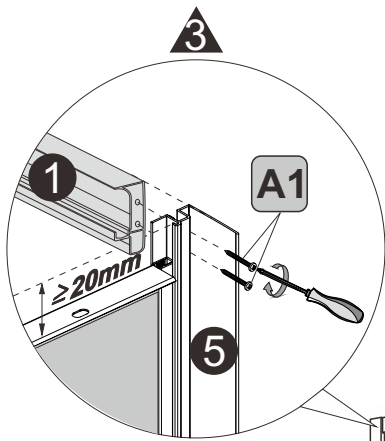


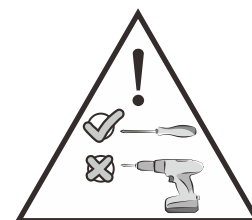
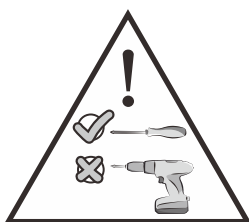
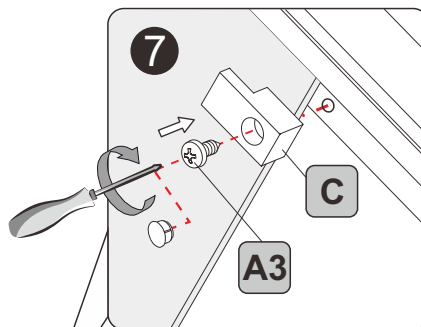
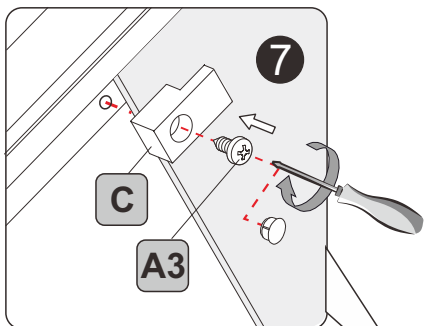
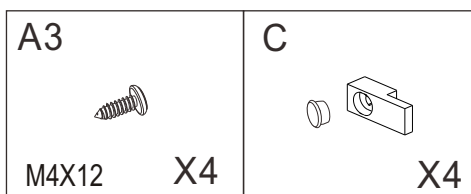
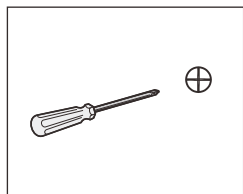
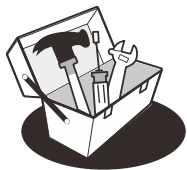


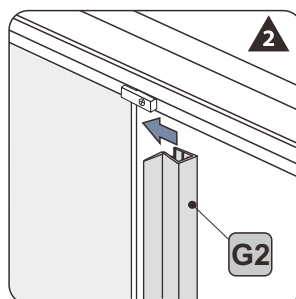
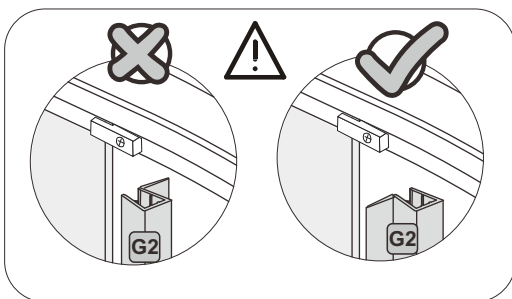
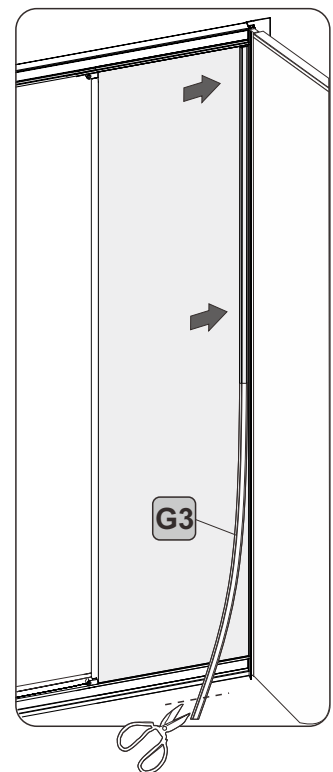
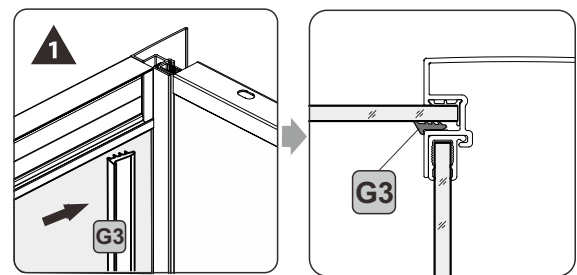
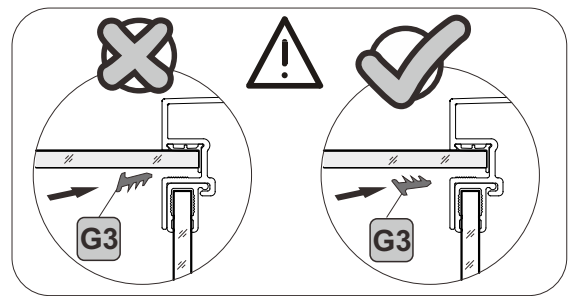
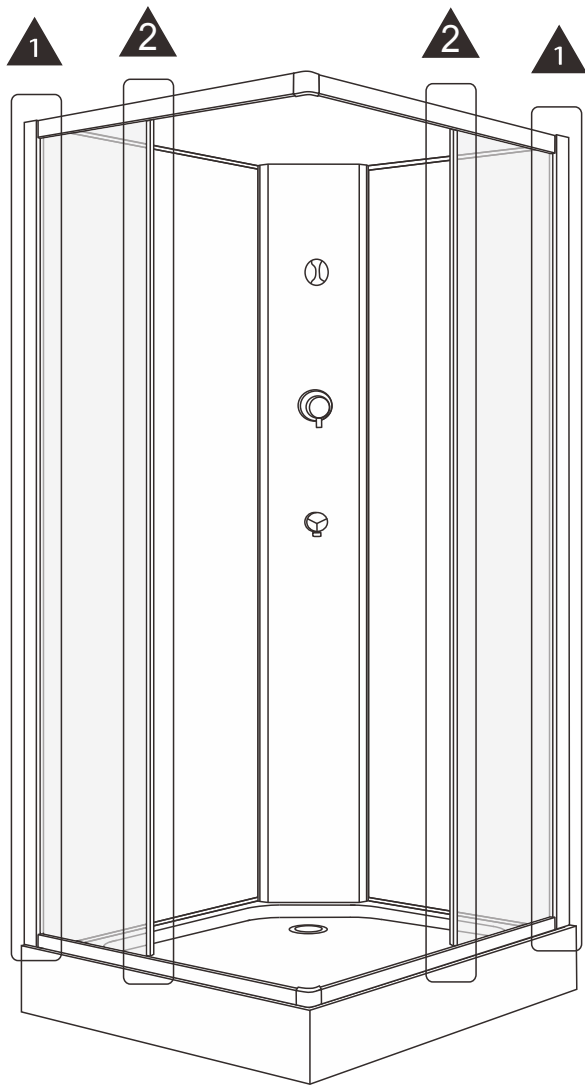
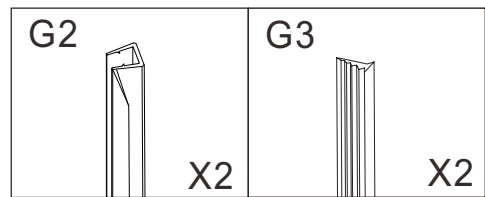
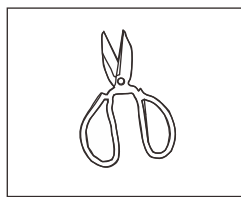
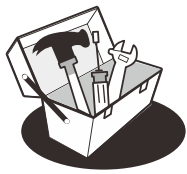


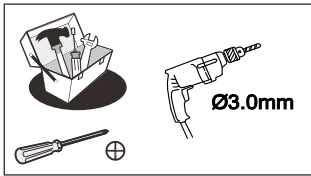




A1	Q
	
M4X25 X16	X2









A2		B
		
M4X16	X4	M4 X4

